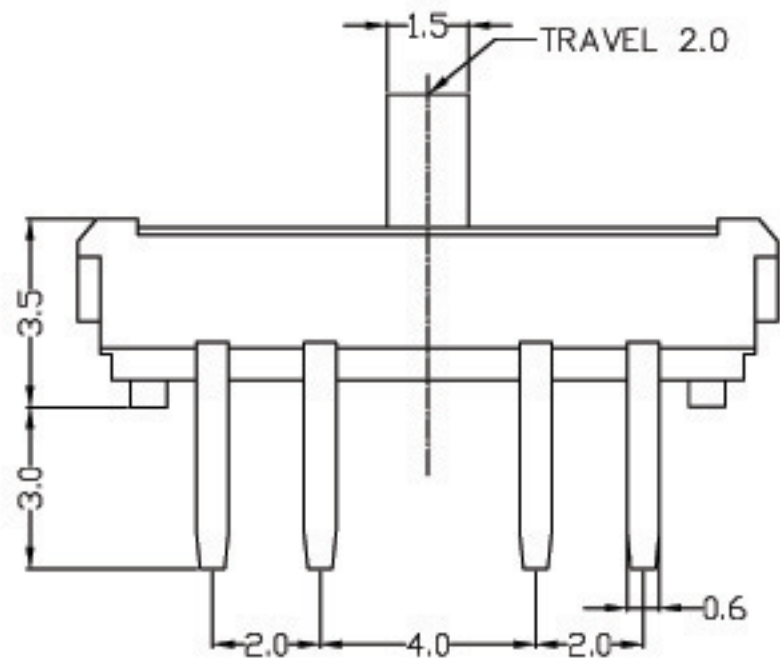
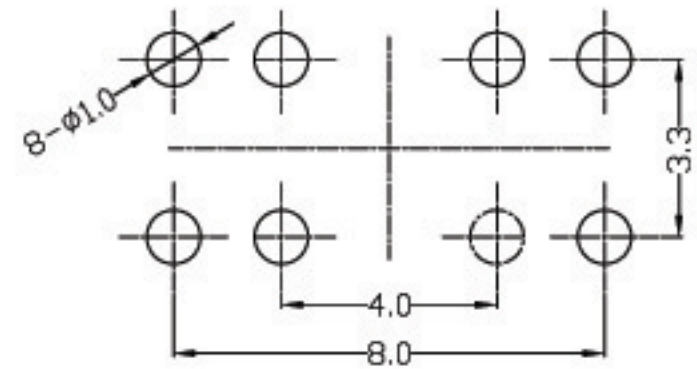


## P.C.B. MOUNTING PATTERN



## CIRCUIT DIAGRAM

