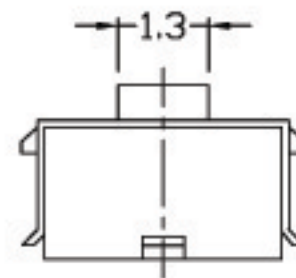
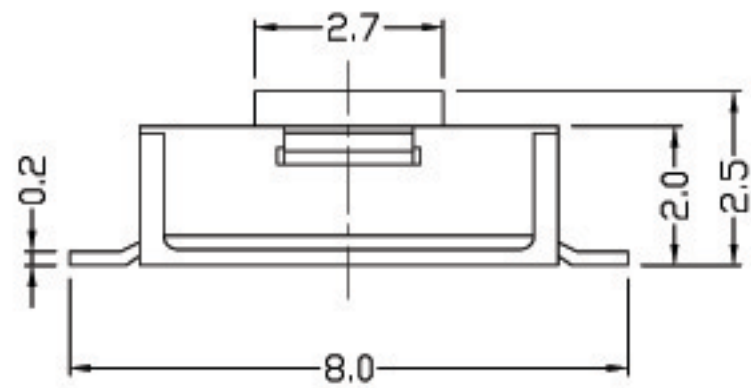
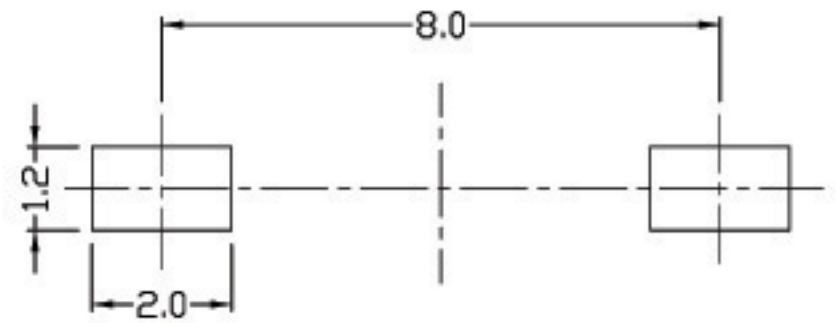


P.C.B. MOUNTING PATTERN



CIRCUIT DIAGRAM

